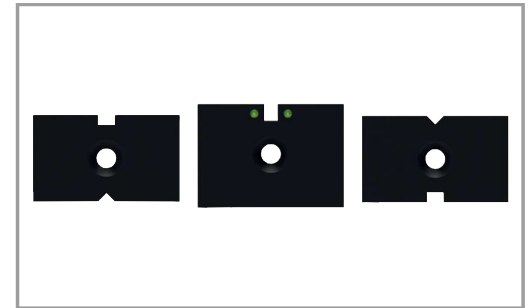


DIANA
EMS | EASY MODULAR SYSTEM



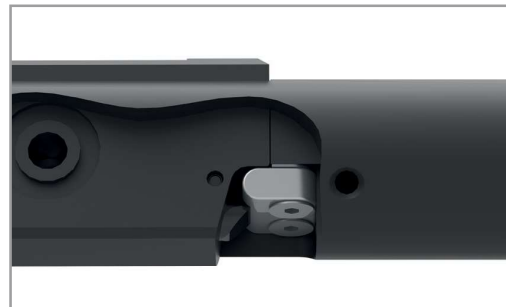
CHANGEABLE BARREL
with 1/2" UNF thread



CHANGEABLE REAR SIGHT
with 3 different options



CHANGEABLE SIGHTS
with unlimited options



ADJUSTABLE BARREL ALIGNMENT
with improved locking mechanism



2pc COCKING LEVER
with polymer guided inlays

EMS - EASY MODULAR SYSTEM



CONVERTABLE TO N_TEC GAS PISTON



34 EMS Classic

- _ Improved cocking mechanism
- _ Adjustable barrel alignment
- _ Convertable to N_TEC gas piston
- _ Milled rail



Model	Caliber	Magazine Capacity	Max Velocity*	Max Energy*	Length	Barrel length	Weight
34 EMS Classic	4,5 mm (.177)	1 shots	270 m/s 890 fps	20 J. 14.8 ft.lbs	1155 mm 45,5"	495 mm 19.5"	3200 g 7.1 lbs
	5.5 mm (.22)		225 m/s 740 fps	22 J. 16.2 ft.lbs			

* Measured with different lead pellets.



34 EMS black

- _ Improved cocking mechanism
- _ Adjustable barrel alignment
- _ Convertable to N_TEC gas piston
- _ Milled rail













Model	Caliber	Magazine Capacity	Max Velocity*	Max Energy*	Length	Barrel length	Weight
34 EMS Classic	4,5 mm (.177)	1 shots	270 m/s 890 fps	20 J. 14.8 ft.lbs	1175 mm 46,3"	495 mm 19.5"	3400 g 7.5 lbs
	5.5 mm (.22)		225 m/s 740 fps	22 J. 16.2 ft.lbs			

* Measured with different lead pellets.